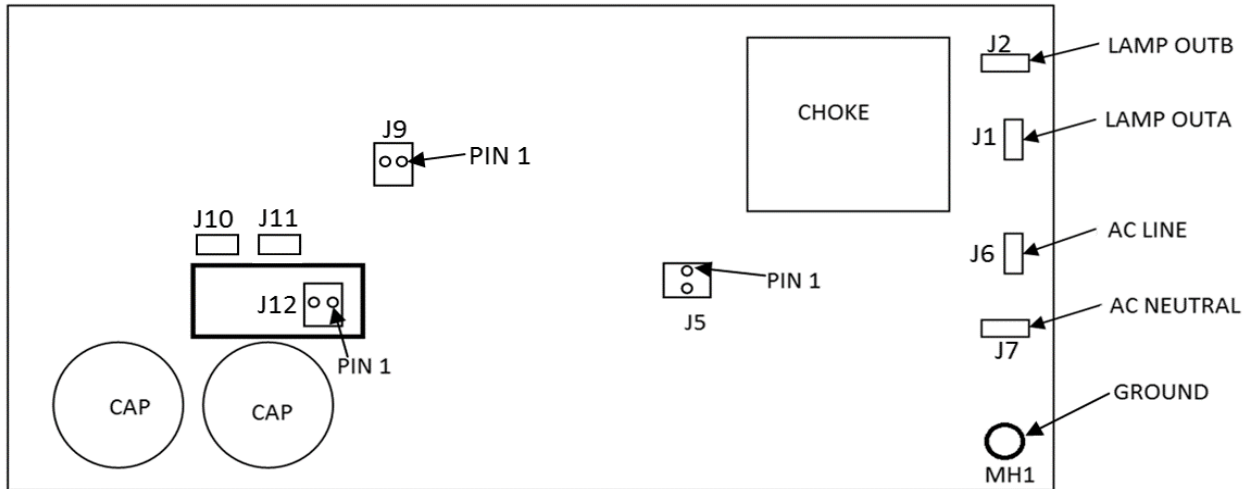


## UV902/UV1241/UV1242/UV2279 CONNECTION DIAGRAM

### UV Switch-mode Power Supply

(Supports UV0882 PCB Revisions K and higher)



### CONNECTORS AND PIN ASSIGNMENTS

Connector Name	Pin #	Signal Name
J5	1	Non-isolated Full/Standby Power Control Return <sup>(1)</sup>
	2	Non-isolated Full/Standby Power Control Input <sup>(1)</sup>
J9	1	+12V Fan Return
	2	+12V Fan Output
J12	1	Isolated Full/Standby Power Control Input <sup>(2)</sup>
	2	Isolated Full/Standby Power Control Return

**Note 1:** For non-isolated full/standby power control, J10 (fuse clip) and J11 (fuse clip) must be shorted.

**Note 2:** Optocoupler diode anode, requires external series resistor & current source limited to 10mA.

### MATING CONNECTORS

Connector Name	Mates with PCB Connector	# of Position	Housing PN	Contact PN	Manufacturer
Non-isolated Power Control	J5	2	22-01-3027	08-50-0114	Molex
Fan Voltage Connector (+12V)	J9	2	22-01-3027	08-50-0114	Molex
Isolated Power Control	J12	2	22-01-3027	08-50-0114	Molex